

PAMS Technical Documentation

RAE-2 Series

Chapter 8

Service Tools

CONTENTS -Service Tools

	Page No
Service Battery BBS-5	8 – 5
Product Code	8 – 5
View of BBS-5	8 – 5
Module Jig MJS-4	8 – 6
Product Code	8 – 6
View of MJS-4	8 – 6
Flash Loading Adapter FLA-7	8 – 7
Product Code	8 – 7
View of FLA-7	8 – 7
Calibration Unit JBE-1	8 – 8
Product Code	8 – 8
View of JBE-1	8 – 8
Power Junction Unit JBP-8	8 – 8
Product Code	8 – 9
View of JBP-8	8 – 9
Service Car Kit HCR-2	8 – 10
Product Code	8 – 10
View of HCR-2	8 – 10
Flash Prommer FPS-4S (Sales Pack)	8 – 11
Product Code	8 – 11
View of FPS-4S	8 – 11
Security Box TDF-4	8 – 12
Product Code	8 – 12
View of TDF-4	8 – 12
Service Cable SCH-8	8 – 13
Product Code	8 – 13
View of SCH-8	8 – 13
DC Power Cable SCF-7	8 – 14
Product Code	8 – 14
View of SCF-7	8 – 14
D15-D15 Cable AXS-5	8 – 15
Product Code	8 – 15
View of AXS-5	8 – 15
JTAG Cable DKS-6	8 – 16
Product Code	8 – 16
View of DKS-6	8 – 16
DC Cable SCB-3	8 – 17
Product Code	8 – 17
View of SCB-3	8 – 17
MBUS Cable DAU-9S	8 – 18
Product Code	8 – 18

View of DAU-9S	8 – 18
MBUS Cable DAU-9C	8 – 19
Product Code	8 – 19
View of DAU-9C	8 – 19
D9-D9 Cable AXS-4	8 – 20
Product Code	8 – 20
View of AXS-4	8 – 20
Modular T-adapter	8 – 21
Product Code	8 – 21
View of Modular T-adapter	8 – 21
SW Security Device PKD-1	8 – 22
Product Code	8 – 22
View of SW Security Device	8 – 22
Protection Key PKD-4F	8 – 23
Product Code	8 – 23
View of PKD-4F	8 – 23

Service Battery BBS-5

The service battery BBS-5 is used in place of the normal battery of the communicator during service to supply a controlled operating voltage from JBE-1, JBP-8 or FLA-7.

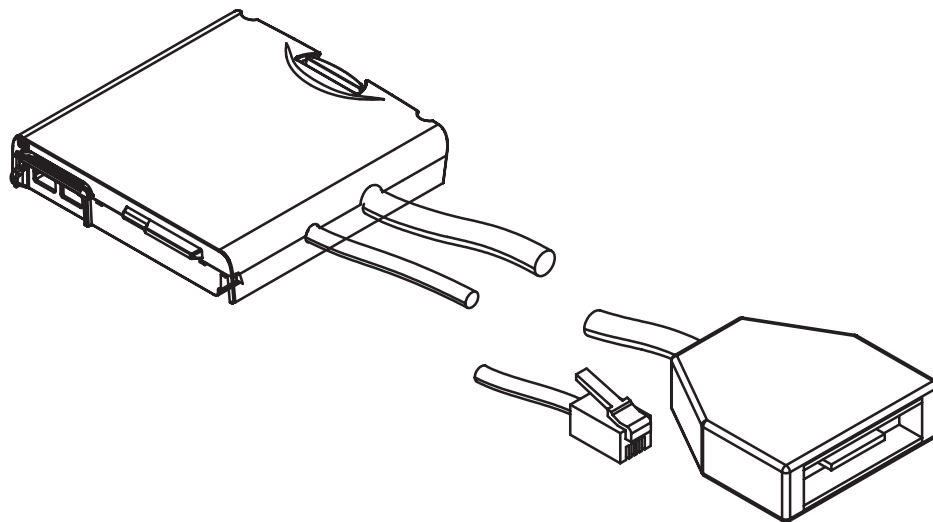
NOTE: DO NOT connect BBS-5 straight to a voltage source . The service battery is also required when flashing the phone.

Product Code

Service Battery BBS-5:

0770117

View of BBS-5



Module Jig MJS-4

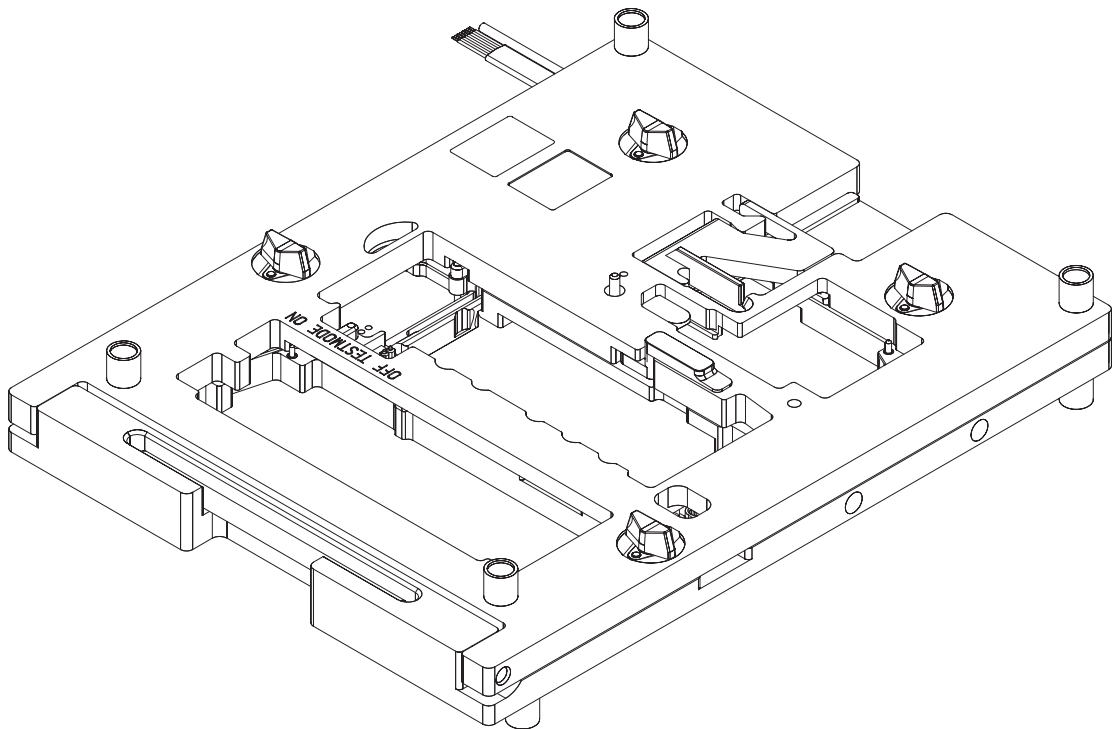
The module jig MJS-4 is used for RAE-2 module testing and repairing. There are slots for each module in the jig. The jig includes connections for charger, power supply, external RF, audios and FBUS/MBUS. Slots for Memory card and SIM card are also included. This equipment is powered by a laboratory source.

Product Code

Module Jig MJS-4:

0770116

View of MJS-4



Note: The nominal supply voltage for MJS-4 is +4.0 V.
The supply voltage must not exceed +4.1 V.

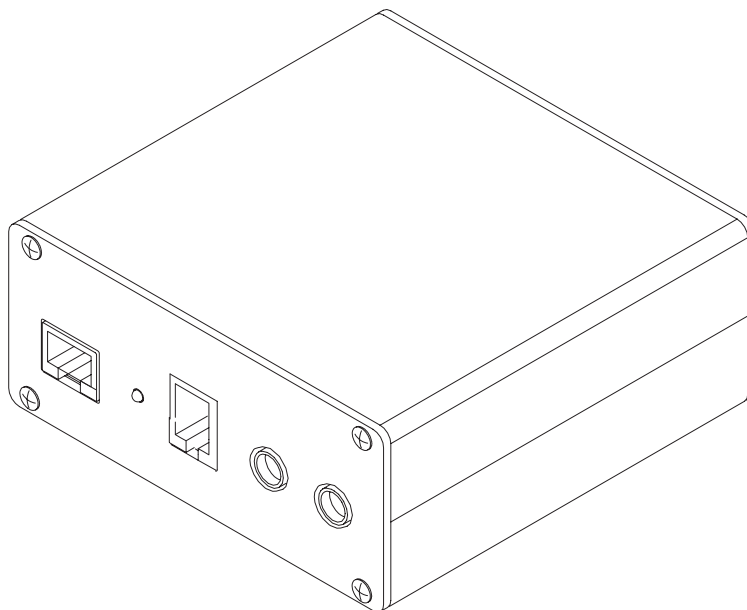
Flash Loading Adapter FLA-7

The flash loading adapter FLA-7 is used with the service battery BBS-5 and service cable SCH-8. Power is supplied to the FLA-7 from the ACL-3 charger. Power for the FPS-4 can be connected via the FLA-7 by SCF-7 DC power cable. The adapter is connected to the flash prommer FPS-4S by the AXS-5 cable and to the security box TDF-4 by the XCM-1 cable.

Product Code

Flash Loading Adapter FLA-7: 0770119

View of FLA-7



Calibration Unit JBE-1

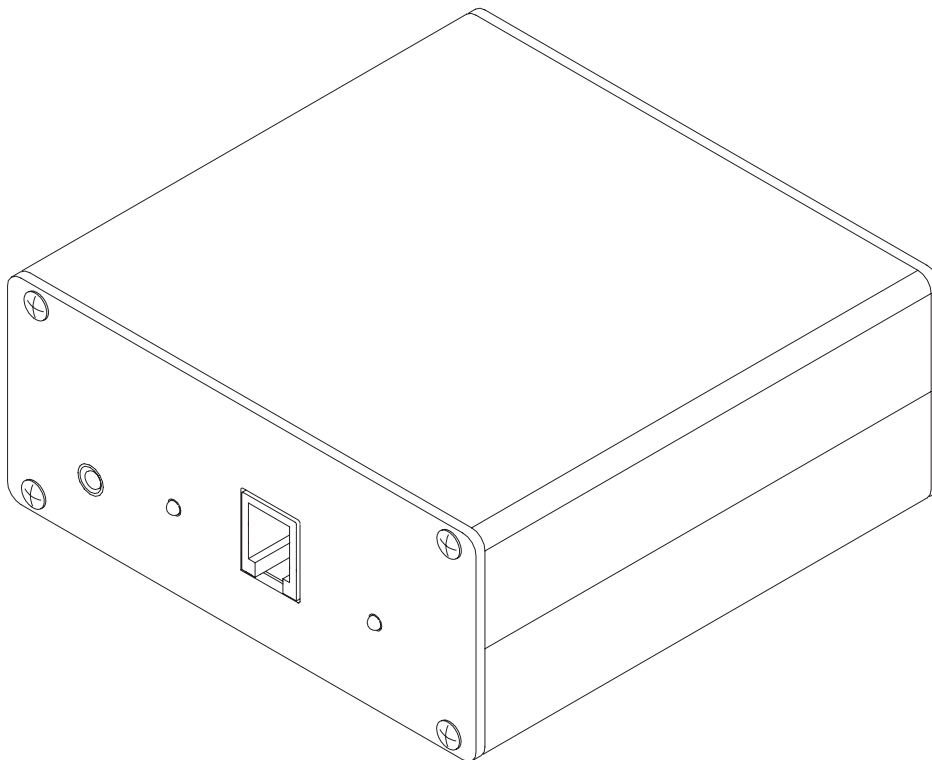
The calibration unit JBE-1 is used for power management calibrations of a RAE-2 communicator. The calibration unit is also a voltage source for the service battery BBS-5. This equipment is powered by a laboratory source.

Product Code

Calibration Unit JBE-1:

0770118

View of JBE-1



Note: The nominal supply voltages for JBE-1 are +7,0 V for normal service activities and 10,5 V for calibrations.

The supply voltage must not exceed +12,0 V

Power Junction Unit JBP-8

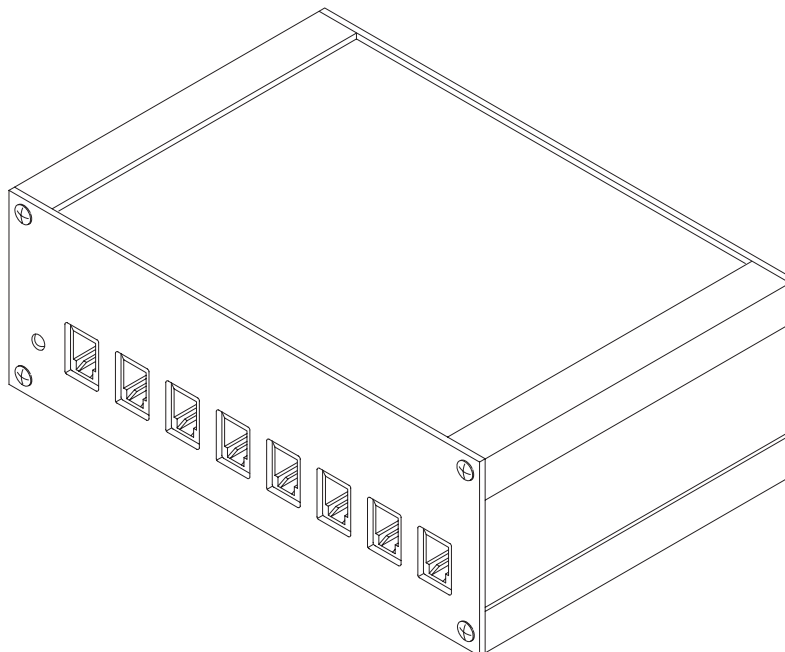
The power junction unit JBP-8 is used to provide power for eight BBS-5 service batteries at the same time. This is how eight PDA memories of RAE-2 phone can be updated at the same time. This equipment is powered by a laboratory source.

Product Code

Power Junction Unit JBP-8

0770141

View of JBP-8



Note: The nominal supply voltage for JBP-8 is +4,0 V.
The supply voltage must not exceed +4.1 V.

Service Car Kit HCR-2

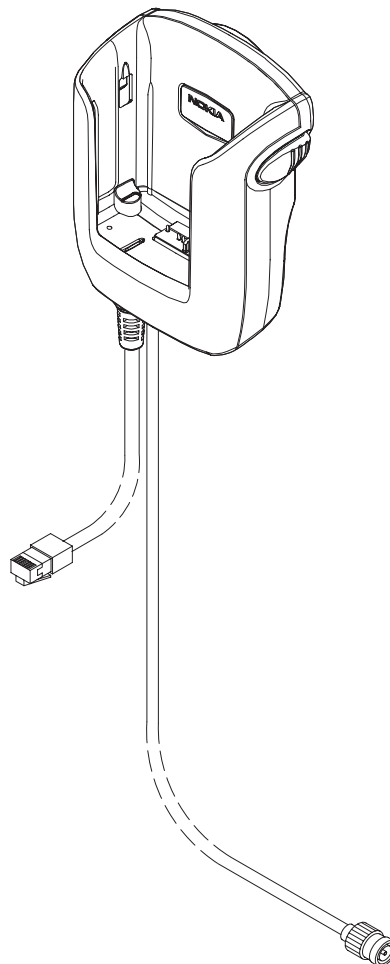
The service car kit HCR-2 is modified from CRH-2 car kit of RAE-2 phone. HCR-2 is used as interface between RAE-2 phone and service software while doing RF tuning

Product Code

Service Car Kit HCR-2

0770146

View of HCR-2



Flash Prommer FPS-4S (Sales Pack)

The flash prommer FPS-4S is used to update the main software of the phone. Updating is done by first loading the new MCU software from the PC to the flash prommer, and then loading the new SW from the prommer to the phone. When updating more than one phone in succession, the MCU software only needs to be loaded to the prommer once.

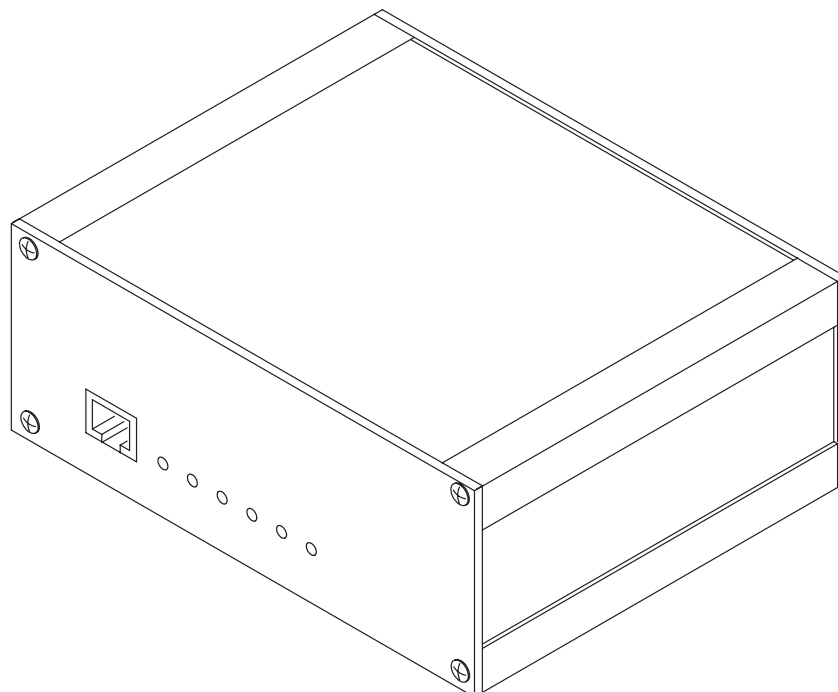
The sales pack includes:

- Charger ACL-3E	0680015
- Printer Cable	0730029
- D9 - D9 Cable AXS-4	0730090
- Installation software for FPS-4	8400041

Product Code

Flash Prommer FPS-4S:	0080178
-----------------------	---------

View of FPS-4S



Security Box TDF-4

The security box TDF-4 is required for updating MCU software, and infra red testing.

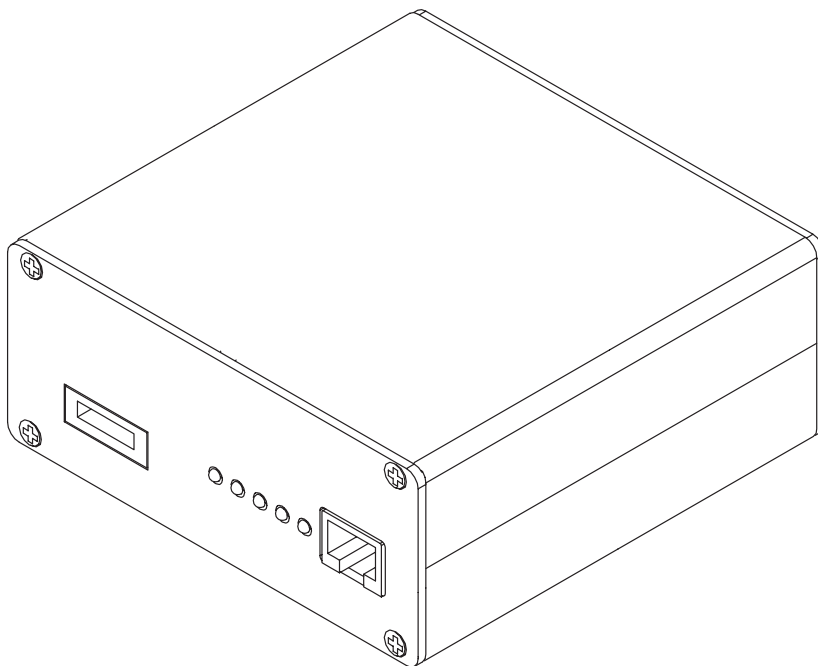
Note2: The infra red module JLP-1 is not included in the TDF-4 sales package

Product Code

Security Box TDF-4:

0770106

View of TDF-4



Service Cable SCH-8

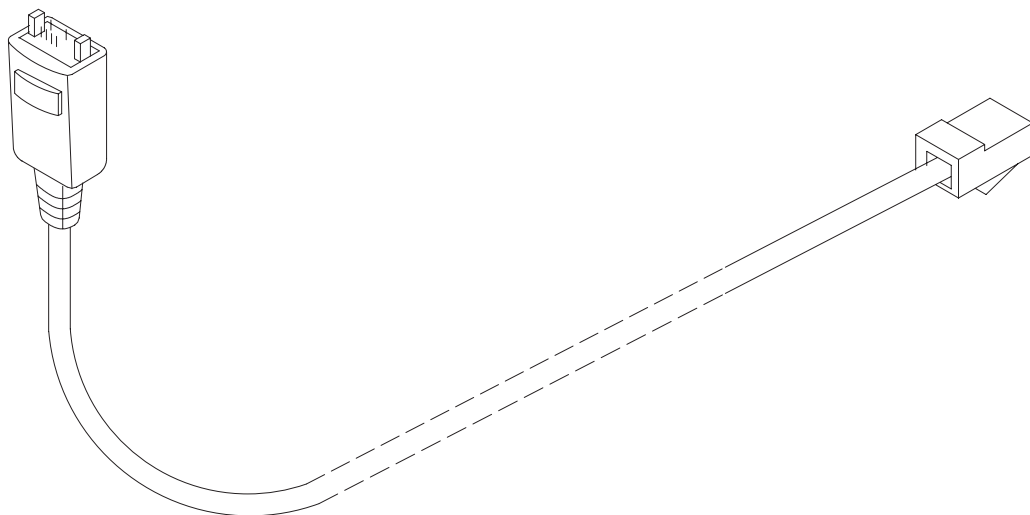
The service cable SCH-8 is used between the phone and the modular T-adaptor or between the phone and the flash loading adapter FLA-7.

Product Code

Service Cable SCH-8:

0730137

View of SCH-8



DC Power Cable SCF-7

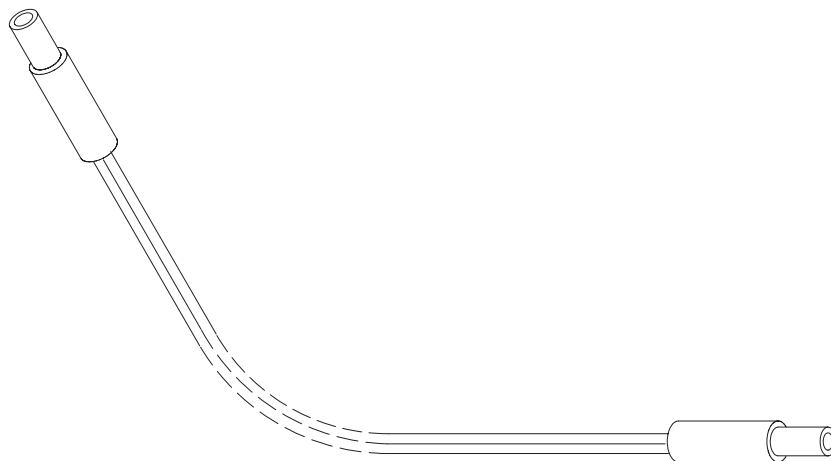
The DC power cable SCF-7 is used for connecting power from ACL-3 charger via FLA-7 to FPS-4.

Product Code

DC Power Cable SCF-7:

0730141

View of SCF-7



D15-D15 Cable AXS-5

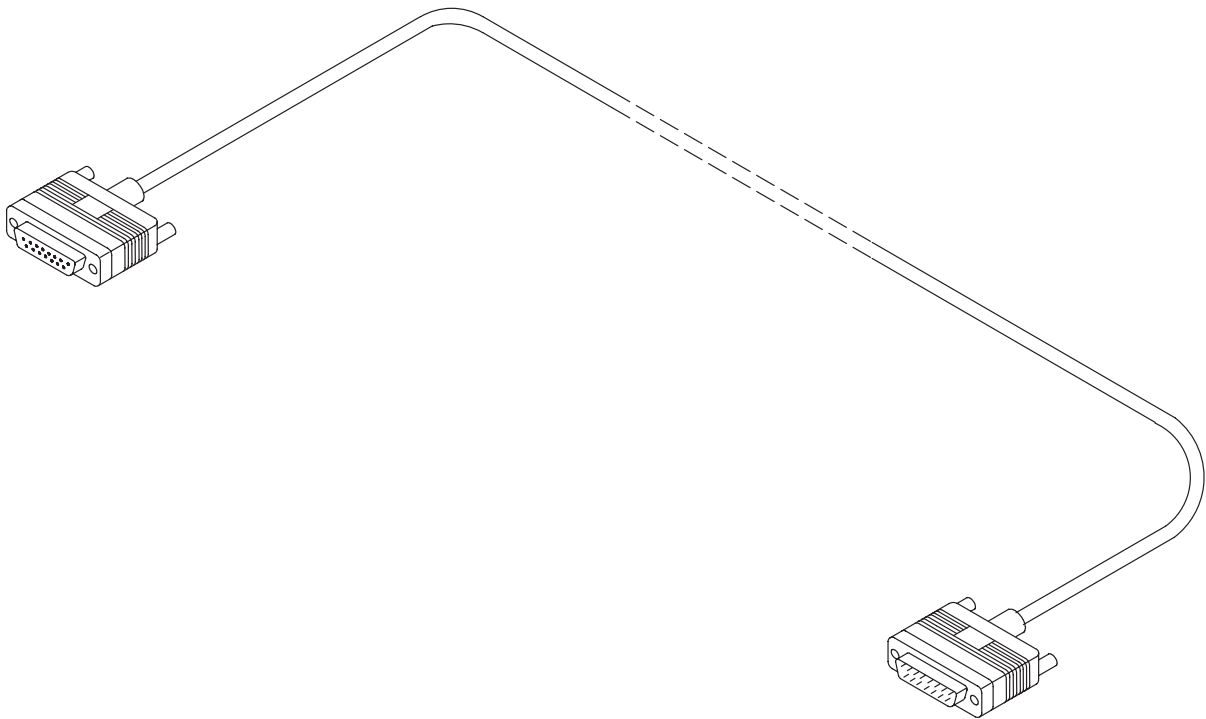
The D15-D15 cable AXS-5 is used to connect two 15 pin D connectors. e.g. between FLA-7 and FPS-4S.

Product Code

D15-D15 Cable AXS-5:

0730091

View of AXS-5



JTAG Cable DKS-6

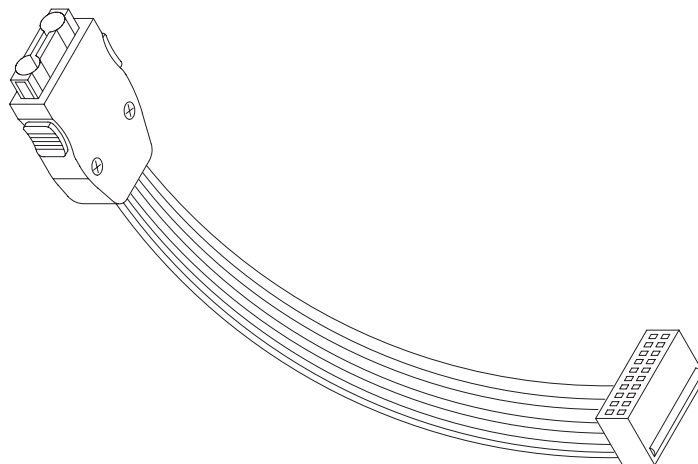
The JTAG cable DKS-6 is used for connecting the JTAG tap pod to a service battery BBS-5.

Product Code

JTAG Cable DKS-6:

0730139

View of DKS-6



DC Cable SCB-3

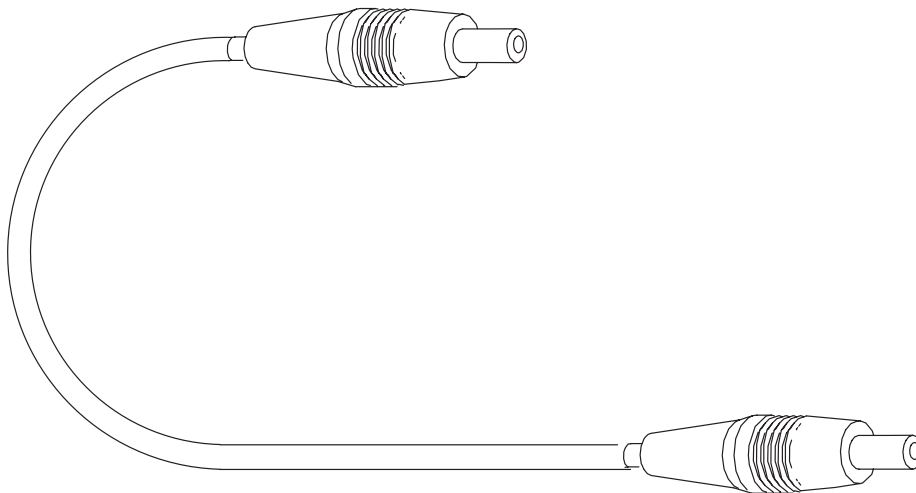
The DC cable SCB-3 is used to connect the calibration unit JBE-1 to the charger connection Vin of the RAE-2 phone when doing the charger calibration service procedure.

Product Code

DC Cable SCB-3:

0730114

View of SCB-3



MBUS Cable DAU-9S

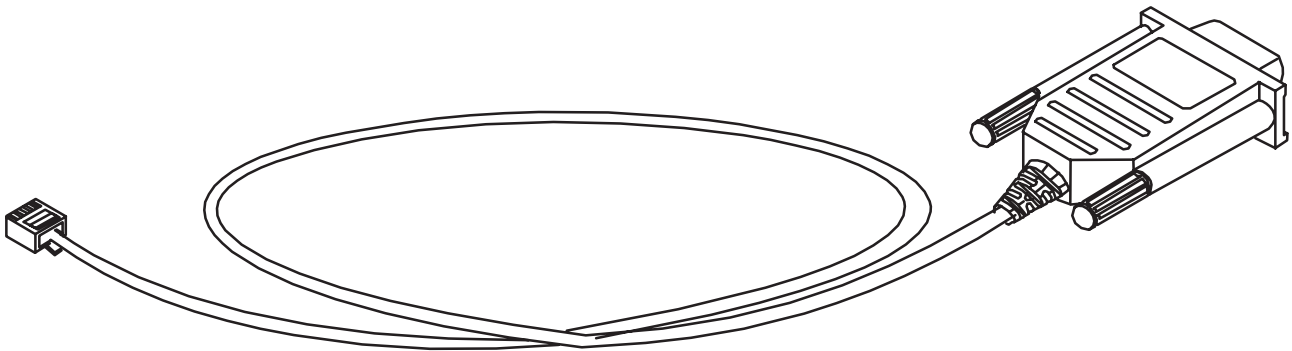
The MBUS cable DAU-9S has a modular connector, and is used with the service car kit HCR-2 and the module jig MJS-4 with a modular T-adapter.

Product Code

MBUS Cable DAU-9S:

0730108

View of DAU-9S



MBUS Cable DAU-9C

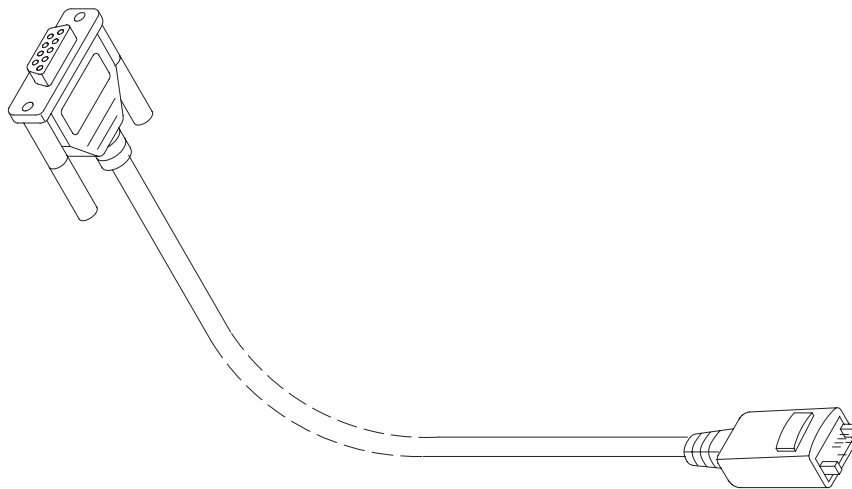
The MBUS cable DAU-9C has a RAE-2 phone system connector, and is used between the phone and external devices (laptops, PCs).

Product Code

MBUS Cable DAU-9C:

0730138

View of DAU-9C



D9-D9 Cable AXS-4

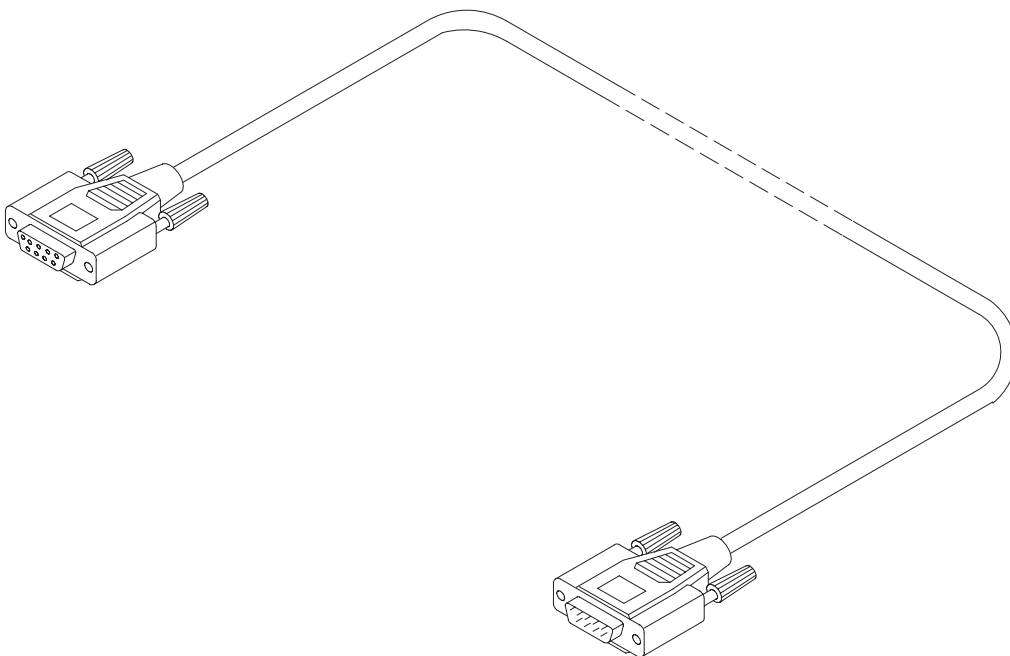
The D9-D9 cable AXS-4 is used to connect two 9 pin D connectors. e.g. between PC and TDF-4 security box.

Product Code

D9 - D9 Cable AXS-4:

0770036

View of AXS-4



Modular T-adapter

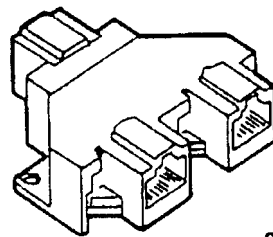
The modular T-adapter is a suitable branching unit to provide the needed parallel modular connections.

Product Code

Modular T-adapter:

4626134

View of Modular T-adapter



S4626134

SW Security Device PKD-1

SW security device is a piece of hardware enabling the use of the service software when connected to the parallel (LPT) port of the PC. Without the dongle present it is not possible to use the service software. Printer or any such device can be connected to the PC through the dongle if needed.

Caution: Make sure that you have switched off the PC and the printer before making connections!

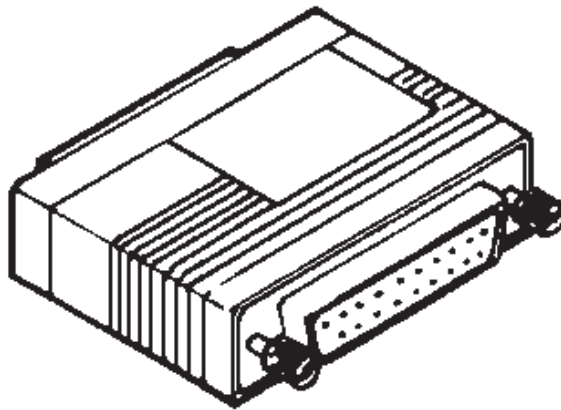
Caution: Do not connected the PKD-1 to the serial port. You may damage your PKD-1!

Product Code

SW Security Device PKD-1:

0750018

View of SW Security Device



G0750018

Protection Key PKD-4F

This protection key is needed for the delivery of the PDA flash voltage. Without it the PDA flash circuits do not receive a programming voltage and the update fails. The PKD-4F is connected to the JTAG connector of the BBS-5 service battery.

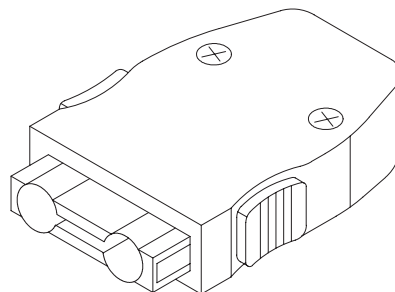
Caution: PKD-4F IS ALLOWED TO BE CONNECTED ONLY WHILE UPDATING PDA SOFTWARE!

Product Code

Protection Key PKD-4F:

0750124

View of PKD-4F



This page intentionally left blank.1.1

[] 1